

SMD TYPE CERAMIC (SMD 5 x 3.2)



Application of SMD crystal:

- Radio communication
- Ct { ucn
- Office automation equipment
- GPS
- Audio-visual equipment

{Features}

Seam welding

Excellent solderability

Automatic and perfect packing due to emboss taping

Excellent vibration resistance & shock resistance

Rohs compliant / Pb free



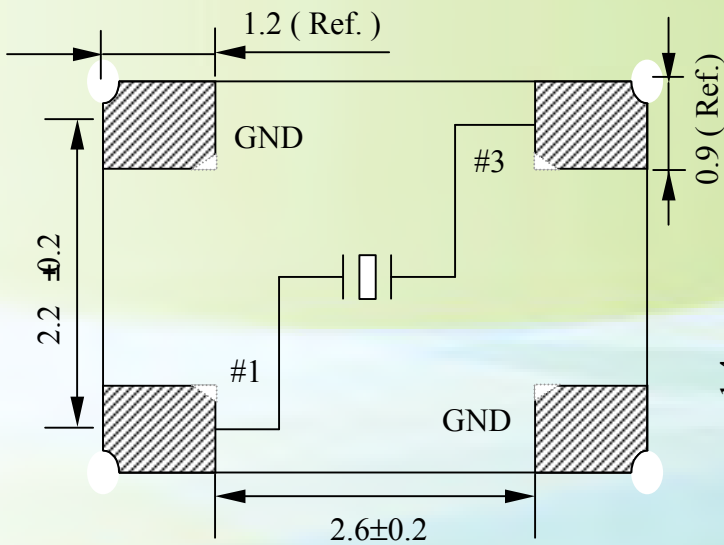
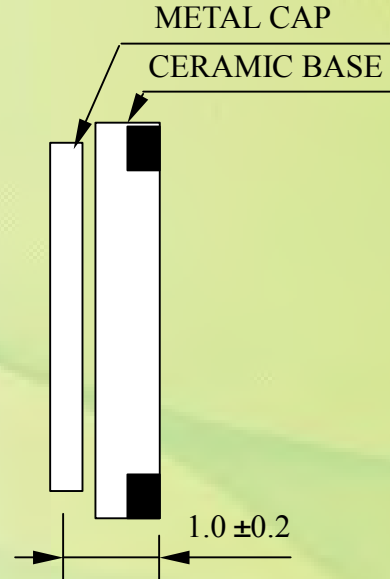
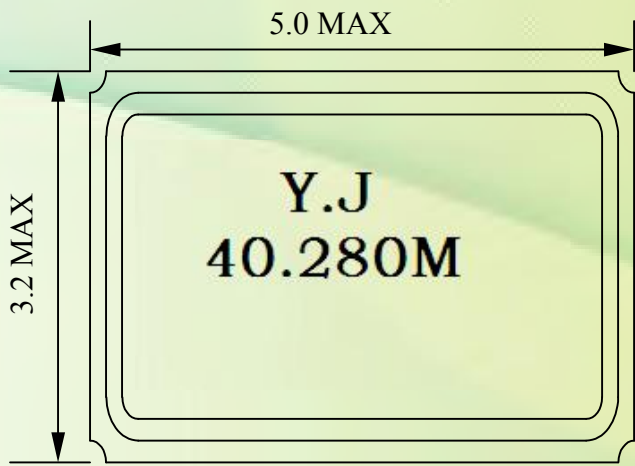
Electrical Specification:

Model	YJ-5032mm
1.Frequency	
Frequency Range	8.0 ~ 100.0 MHz
Frequency Tolerance at 25 °C ±2 °C	±10 ~ ±30 ppm (TYP.)
Frequency Stability Over Operating Temp Range	±10 ~ ±30 ppm (TYP.)
2.Environmental Condition	
Operating Temp Range	-10 °C ~ +60 °C, -20 °C ~ +70 °C or customer requirement
Storage Temp Range	-40 °C ~ +85 °C
Aging Rate	±3ppm/year
3.Electrical Specifications	
Test Circuit	S&A 250B
Load Capacitance	6 pF ~ 32 pF, series or special
Drive Level	1uW ~ 100uW or special
Shunt Capacitance	7.0pF max

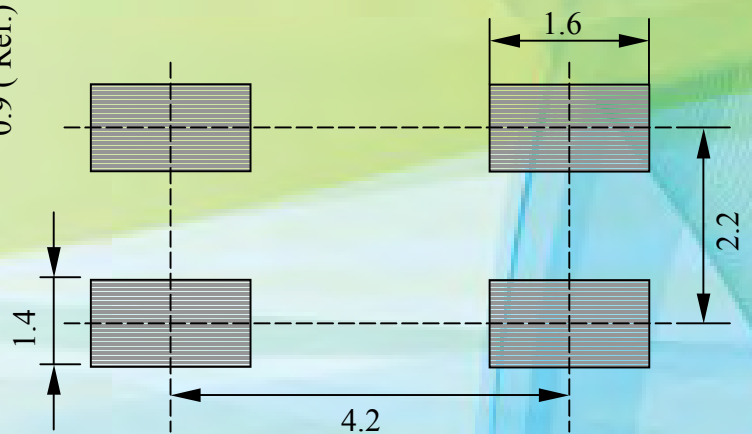
Equivalent Series Resistance(ESR) VS Frequency:

Frequency (MHz)	Oscillation Mode	YJ-5032
10 ~ 12.0	Fundamental	90
12.1 ~ 25.0	Fundamental	70
25.1 ~ 52.0	Fundamental	40
45.1 ~ 125.0	3rd overtone	100

Dimensions (mm):

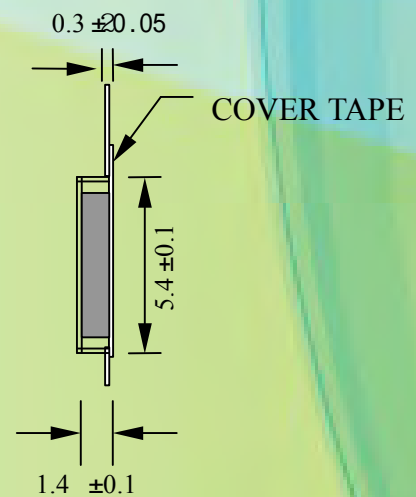
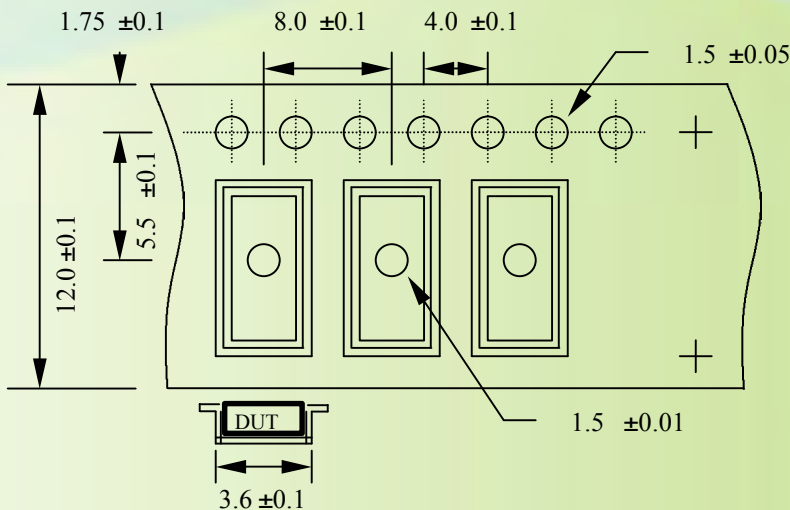


<TOP VIEW>



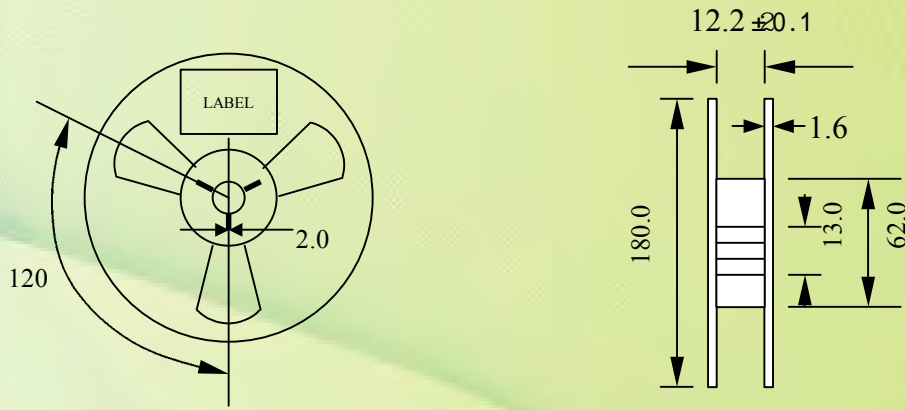
(Recommended Land Pattern)

Tape specification (mm):



* Above specification subject to change without prior notice, please consult our sales representative for more information <http://www.yijindz.com>

Reel packing (mm):



Reflow Temperature profile:

